

Starling

by Heather Briggs of My Sew Quilty Life

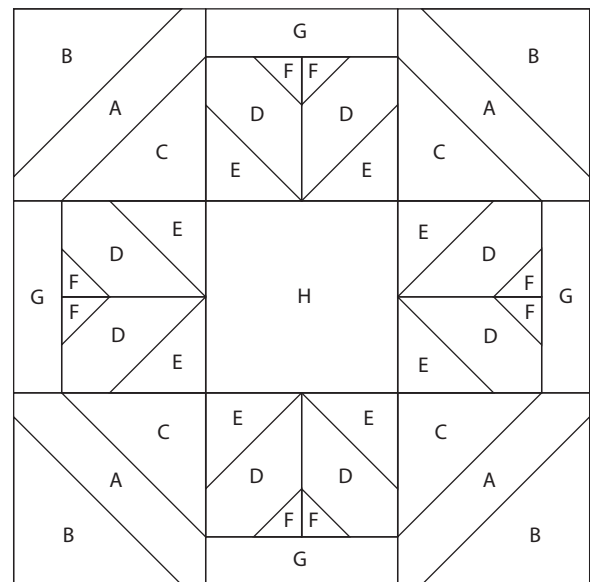
The Starling block is just darling! It's been a while since I have made a star block, but I'm loving this block. Starling is a combination of a flower and star, I just had to squeeze a flower in somewhere. I love flowers! I added in something extra on the corners so when several blocks are sewn into a quilt, you would have a fun secondary design.

@mysewquiltylife

mysewquiltylife.com

Cutting Instructions

Qty	6" finished block	12" finished block
4	2 1/2" squares (A)	4 1/2" squares (A)
4	2 1/4" squares (B)	4" squares (B)
4	2" squares (C)	3 1/2" squares (C)
8	1 1/2" x 2" rectangles (D)	2 1/2" x 3 1/2" rectangles (D)
8	1 1/2" squares (E)	2 1/2" squares (E)
8	1" squares (F)	1 1/2" squares (F)
4	1" x 2 1/2" rectangles (G)	1 1/2" x 4 1/2" rectangles (G)
1	2 1/2" square (H)	4 1/2" square (H)



Use this block to plan color and fabric placement!

My Swatches

A B C D E F

G H





Piecing Instructions

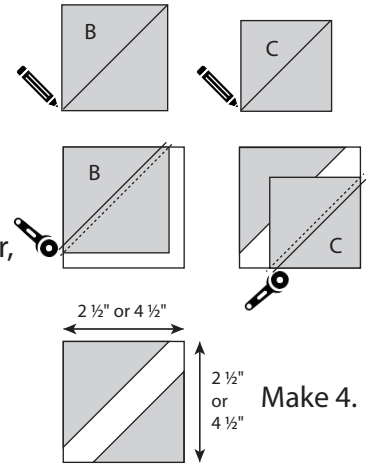
Step 1

On the wrong side of each B and C square, draw a line from one corner to the opposing corner as shown.

Place a B square in the top left corner of an A square, right sides together, as shown. Stitch on the line. Trim the seam to $\frac{1}{4}$ ", and press the seam to the B triangle.

Place a C square in the bottom right corner of the same A square, right sides together, as shown. Stitch on the line. Trim the seam to $\frac{1}{4}$ ", and press the seam to the B triangle to make an A/B/C unit.

Repeat to make 4 A/B/C units. Trim all units to $2\frac{1}{2}$ " (6" block) or $4\frac{1}{2}$ " (12" block).



Step 2

On the wrong side of each E and F square, draw a line from one corner to the opposing corner as shown.

To make a LEFT D/E/F unit:

Repeat the stitch-and-flip method from Step 1, placing an E square at the **bottom** of a D rectangle and an F square in the **top right corner** of the same D rectangle to make a LEFT D/E/F unit.

Press seams towards the D rectangle.

Tip: Pay careful attention to the direction of your seam line when placing your E squares on the D rectangles for LEFT vs RIGHT units!

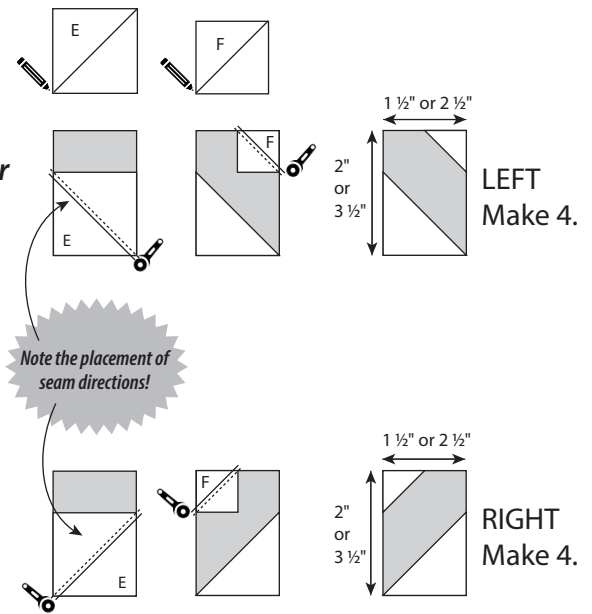
To make a RIGHT D/E/F unit:

Repeat the stitch-and-flip method from Step 1, placing an E square at the **bottom** of a D rectangle and an F square in the **top left corner** of the same D rectangle to make a RIGHT D/E/F unit.

Press seams towards the E and F triangles.

Make 4 LEFT D/E/F units and 4 RIGHT D/E/F units.

Trim all units to $1\frac{1}{2}$ " x 2" (6" block) or $2\frac{1}{2}$ " x $3\frac{1}{2}$ " (12" block).



Get to know Heather...

-  I know the stars have aligned when...
My seams match perfectly, Seamripper Jack stays away, and my block comes out the right size.
-  I'd be totally star-struck if I could meet...
My favorite Sewlebrities! I have quite a few.
-  If I could wish on a star, I'd wish for...
Everyone to have the chance to live out their biggest dream and do what they love.
-  Star Trek, Star Wars, or Dancing With the Stars?
What about Quilting with the Stars? Now, that's a show I would watch!
-  I thank my lucky stars that...
I get to live out my dream everyday of designing fabric for Moda Fabrics! I LOVE Moda!

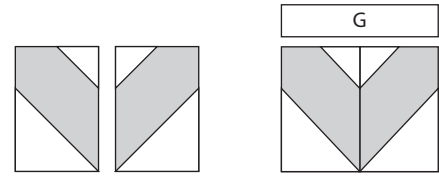




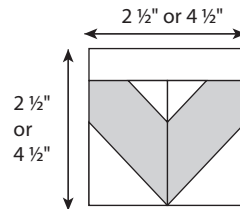
Piecing Instructions, continued

Step 3

Join a LEFT D/E/F unit and a RIGHT D/E/F unit together as shown.
 Sew a G rectangle to the top; press toward G.



Repeat to make 4 combined units.
 Trim units to 2 1/2" (6" block) or 4 1/2" (12" block).

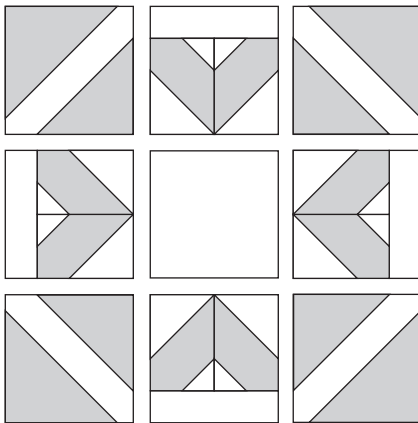


Make 4.

Step 4

Lay out the A/B/C units, the D/E/F units, and the A square.

Join units as shown to make the full block. Trim to 6 1/2" or 12 1/2".





Additional Coloring Blocks

